



CBI WIDEFRADE ATTACHMENT MANUAL AND INFORMATION

Attachment Information

Model Number: _____
 Description: _____
 Serial Number: _____
 Part Number: _____
 Date Shipped: _____

Forklift Information

Model Number: _____
 Capacity: _____
 Mounting Class: _____

Attachment ID plate:

Each CBI attachment is identified by a model number and serial number which is attached to the unit before shipment. This plate also includes capacity, and attachment weight.

Forklift Capacity Plate:

Forklift capacity plate should be updated to include this specific attachment. The capacity of the truck and attachment combination may be less than the capacity for the forklift only.

Safety:

- Check your equipment before you operate it.
- Never stand under attachment, or in operating range.
- When removing demountable attachments always keep hands and feet free from dangerous positions and pinch points.
- Check to ensure that attachment is securely installed on forklift before use.
- Do not use the attachment for any other purpose than indicated.

Preventative Maintenance

CBI Attachments have been constructed to require very little attention. But there are some measures which can be taken to ensure the long life of your CBI Equipment. Perform these checks before each use.

- Check mounting parts for wear, repair or replace if needed.
- Check all bolts and welds for cracking, stress, or wear.
- Check for damage from previous use.

Warranty:

CBI products are warranted for one year. Products are guaranteed to be free from defects in material and workmanship and that, if the equipment or any part thereof is returned to an authorized dealer, transportation charges prepaid, and, if examination discloses to its satisfaction that the said equipment, part or parts has been defective in workmanship or material, CBI will deliver to purchaser without charge, transportation prepaid, parts of first class workmanship and material in exchange for any parts so found to be defective and its obligation is limited to said exchange. CBI shall not be liable for any repairs or alterations except those made with its written consent and shall not be liable for damages from delay or loss of use or for other indirect or consequential damages, losses or expenses of any kind. It is specifically agreed that the liability of CBI under all guarantees, either express or implied, is strictly limited to those terms as hereinbefore provided.

Repairs and required maintenance:

Attachments should not be disassembled without first consulting your authorized CBI Attachments dealer. Replacement parts are available, and are listed in the pages that follow.

Service and Support:

We are here to help. For information about parts, service, or a warranty claim, call 1-800-547-3131 or reach us through email at customerservice@cbimfg.com



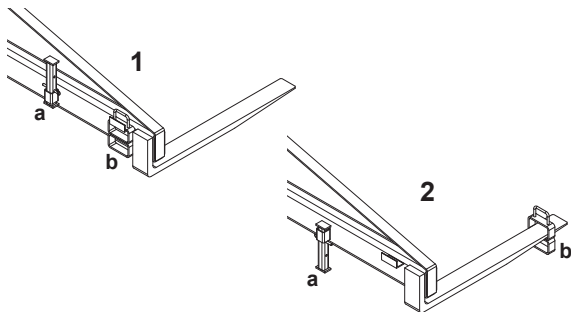
CBI WIDEFRADE ATTACHMENT MANUAL AND INFORMATION

Wideframe Installation:

Before installing the CBI Wideframe Attachment on your lift truck, visually check to see that all welds are intact, and that mounting hardware has not become damaged or loosened during shipment. Call to the attention of the carrier any obvious damage. This should be done immediately upon receipt.

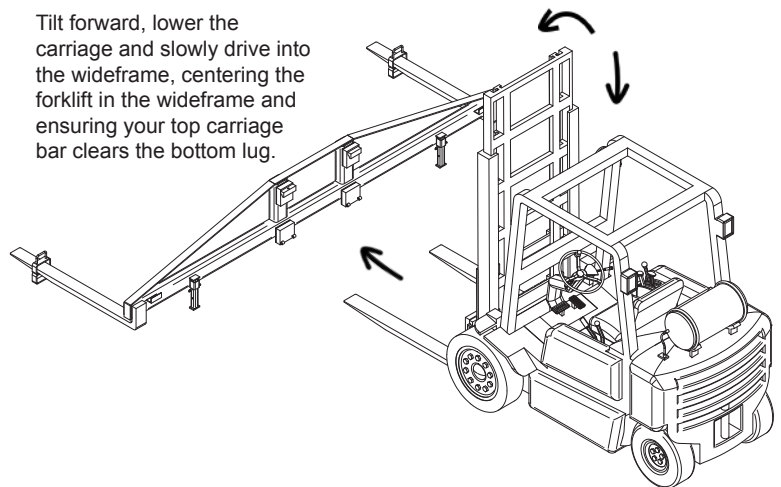
CBI Wideframe Attachments come equipped with stands for storage, and to make installation and removal more convenient. Included are jacks(a) with quick disconnect pins, these are welded to the main body of the Attachment. In addition, fork stands(b) come with the attachment and hang on hooks on the back of the unit.

When the attachment is mounted and in use, the jacks(a) should be put in their upright position(1a) and the stands(b) should be on their storage hooks(1b). When removing and installing the attachment, the jacks should be in the down position(2a), and the fork stands should be placed on forks approximately 12" from the tip as shown.(2b)

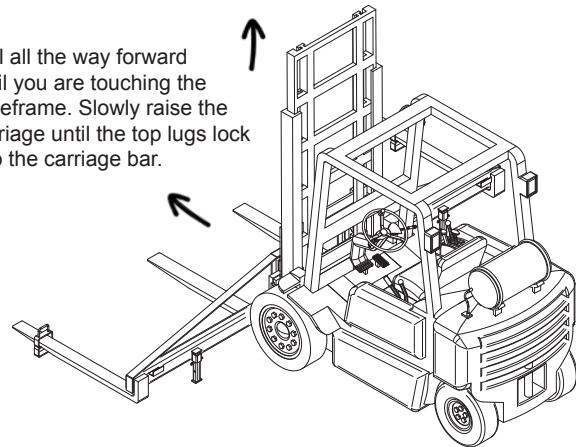


For Wideframes with ITA carriage mounting, remove bottom lugs and pins, drive forklift into unit, hooking the top carriage bar into the top lugs, lift slightly and tilt back if needed, and re-install bottom quick disconnect lugs and pins.

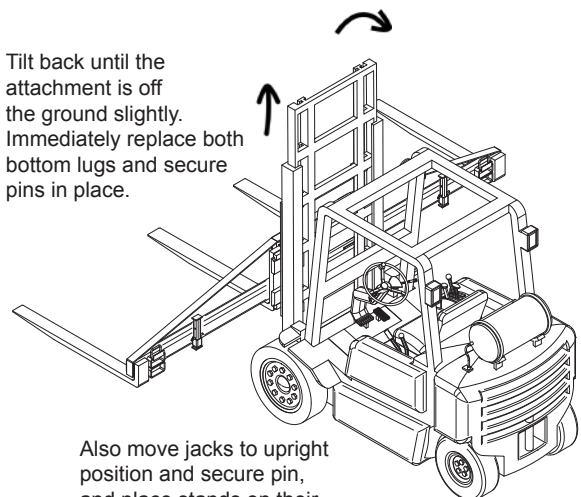
Tilt forward, lower the carriage and slowly drive into the wideframe, centering the forklift in the wideframe and ensuring your top carriage bar clears the bottom lug.



Pull all the way forward until you are touching the wideframe. Slowly raise the carriage until the top lugs lock into the carriage bar.



Tilt back until the attachment is off the ground slightly. Immediately replace both bottom lugs and secure pins in place.



Also move jacks to upright position and secure pin, and place stands on their storage hooks.



CBI WIDEFRADE ATTACHMENT MANUAL AND INFORMATION

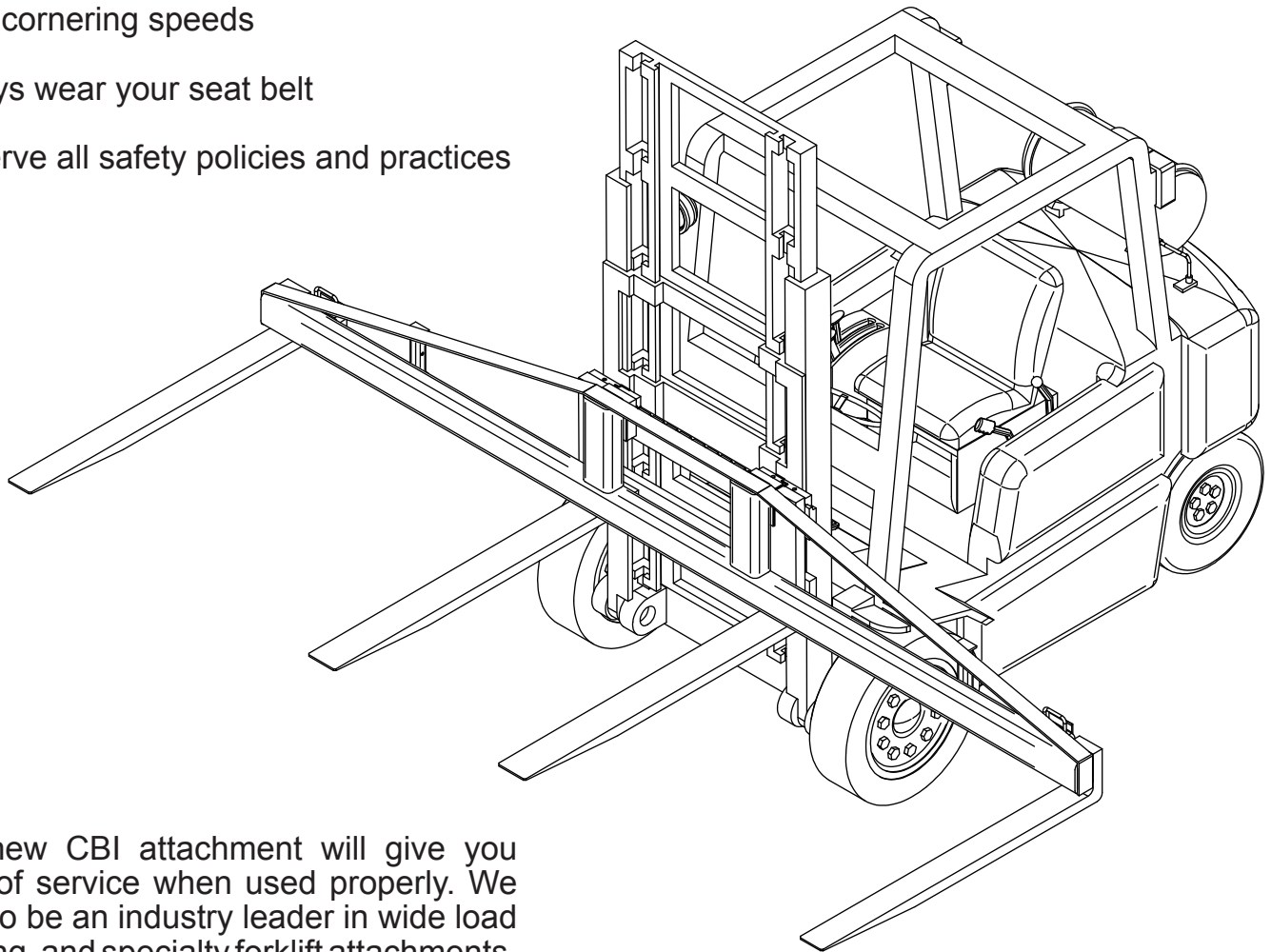
Wideframe usage:

Wideframe attachments can compromise the stability of your forklift. Their width makes sideways tipping more likely, and off center loads will have a larger impact on handling.

Additional care must be exercised when using wideframe attachments:

- Keep loads centered
- Travel with the carriage as close to the ground as practical
- Limit cornering speeds
- Always wear your seat belt
- Observe all safety policies and practices

NOTE: BOTTOM LUGS MUST BE INSTALLED WITH PINS FULLY INSERTED BEFORE OPERATING THE FORKLIFT WITH THE WIDEFRADE ATTACHMENT INSTALLED. FAILURE TO DO SO MAY RESULT IN PROPERTY DAMAGE, PERSONAL INJURY OR DEATH.



Your new CBI attachment will give you years of service when used properly. We strive to be an industry leader in wide load handling, and specialty forklift attachments. do not hesitate to call with questions or concerns.