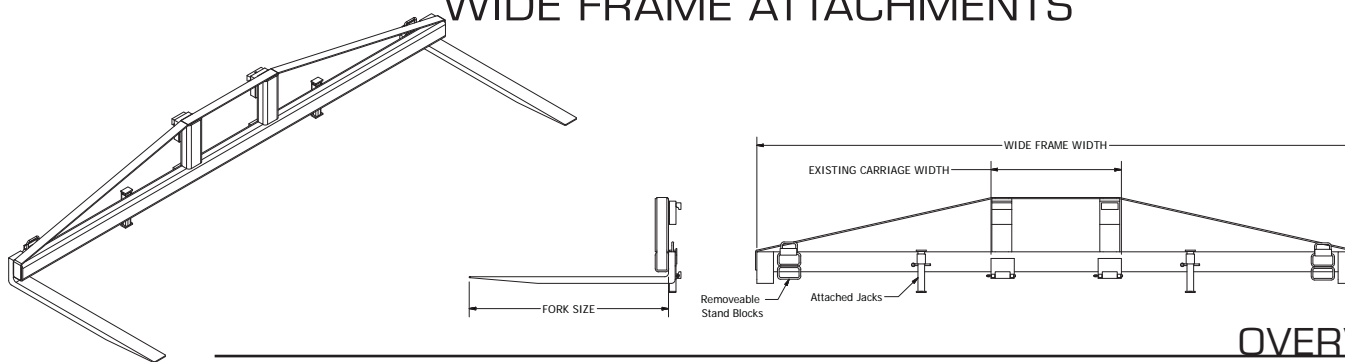




CARRIAGE PRODUCTS

WIDE FRAME ATTACHMENTS



OVERVIEW

A fixed fork Wide Frame Attachment is used for handling wide loads such as trusses, rebar, pipe, and many other products. Our Wide Frame Attachments use your existing forks, and add two more to stabilize the load. CBI's mounting system makes our wide frames easier than ever to install and remove.



FEATURES

- Quality construction
- CBI Quick-attach system (ITA carriages only)
- Multiple fork
- Mounting for pin type carriages available

SPECIFICATIONS

Model Number	Capacity	Width	Available Mounting Class	Standard Fork Lengths	Weight	VCG	HCG	ET
WFA 460-23-155	4000	60	III or III	42.48, or 60	470	3	8	4.5
WFA 472-23-155	4000	72	III or III	42.48, or 60	510	3	8	4.5
WFA 484-23-155	4000	84	III or III	42.48, or 60	550	3	8	4.5
WFA 496-23-155	4000	96	III or III	42.48, or 60	590	3	8	4.5
WFA 4120-23-155	4000	120	III or III	42.48, or 60	640	3	8	4.5
WFA 672-34-25	6000	72	III or IV	42.48, or 60	789	3.25	9	6
WFA 684-34-25	6000	84	III or IV	42.48, or 60	817	3.25	9	6
WFA 696-34-25	6000	96	III or IV	42.48, or 60	845	3.25	9	6
WFA 6120-34-25	6000	120	III or IV	42.48, or 60	873	3.25	9	6
WFA 6144-34-25	6000	144	III or IV	42.48, or 60	985	3.25	9	6
WFA 6168-34-25	6000	168	III or IV	42.48, or 60	1041	3.25	9	6
WFA 6192-34-25	6000	192	III or IV	42.48, or 60	1097	3.25	9	6
WFA 6240-34-25	6000	240	III or IV	42.48, or 60	1209	3.25	9	6.5
WFA 872-34-26	8000	72	III or IV	42.48, or 60	848	4	10	6
WFA 884-34-26	8000	84	III or IV	42.48, or 60	882	4	10	6
WFA 896-34-26	8000	96	III or IV	42.48, or 60	916	4	10	6
WFA 8120-34-26	8000	120	III or IV	42.48, or 60	987	4	10	6
WFA 8144-34-26	8000	144	III or IV	42.48, or 60	1136	4	10	6
WFA 8192-34-26	8000	192	III or IV	42.48, or 60	1204	4	10	6
WFA 8240-34-26	8000	240	III or IV	42.48, or 60	1340	4	10	6
WFA 8360-34-26	8000	360	III or IV	42.48, or 60	1480	4	10	6.5
WFA 8480-34-26	8000	480	III or IV	42.48, or 60	1620	4	10	6.5
WFA 1096-34-256	10000	96	III or IV	42.48, or 60	1100	4.5	10	6
WFA 10120-34-256	10000	120	III or IV	42.48, or 60	1140	4.5	10	6
WFA 10144-34-256	10000	144	III or IV	42.48, or 60	1160	5	10	6
WFA 10192-34-256	10000	192	III or IV	42.48, or 60	1196	5	10	6
WFA 10240-34-256	10000	240	III or IV	42.48, or 60	1284	5	10	6
WFA 10360-34-256	10000	360	III or IV	42.48, or 60	1490	5	10	6.5
WFA 10480-34-256	10000	480	III or IV	42.48, or 60	1750	5	10	7
WFA 15120-4-256	15000	120	IV	42.48, or 60	1260	6.75	12.5	8.5
WFA 15192-4-256	15000	192	IV	42.48, or 60	1548	6.75	12.5	8.5
WFA 15240-4-256	15000	240	IV	42.48, or 60	1644	6.75	12.5	8.5
WFA 15360-4-256	15000	360	IV	42.48, or 60	2124	6.75	12.5	8.5
WFA 15480-4-256	15000	480	IV	42.48, or 60	2604	6.75	12.5	8.5

*Custom sizes and also mounting available.