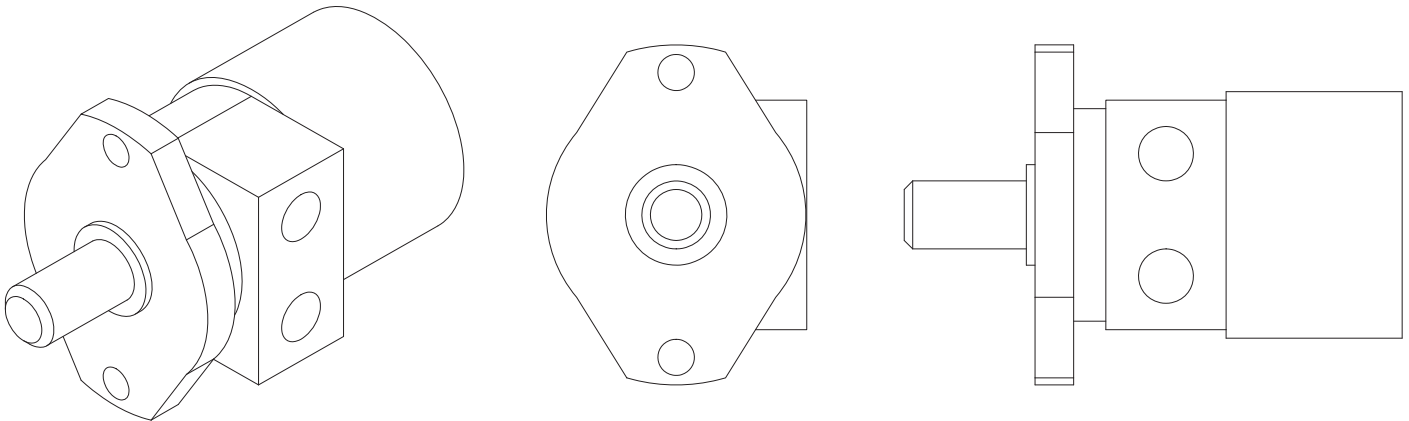




# HYDRAULIC VALVES AND ACCESSORIES

## HYDRAULIC DRIVE MOTORS



### OVERVIEW

These hydraulic motors can be used for CBI and most other rotating attachments.

### SPECIFICATIONS

For CBI and Most Other Rotating Attachments			
Part Number		Description	
4001 (70230007)		Hydraulic Motor (R&R2 437, 542, 542C)	
6001 (70230009)		Hydraulic Motor (R&R2 742)	
For Cascade Rotating Attachments			
CBI Part #	Hydraco Part #	Cascade Part #	Weight
1510	2M019A1B1	C-15016	16
1512	2M023A1B2	C-655968	17
1515	2M028A1B1	C-14322	18
1610	3M033A1B1	C-15017	28

### RELATED PRODUCTS

- Waterman valves page G-3
- Electric Control Handles page G-2
- 2 and 3 function kits page G-1
- Relief valves and pressure gauges G-4
- Revolving Connector page G-6
- Hydraulic Fittings page G-7
- Hydraulic Drive Motors page G-8

