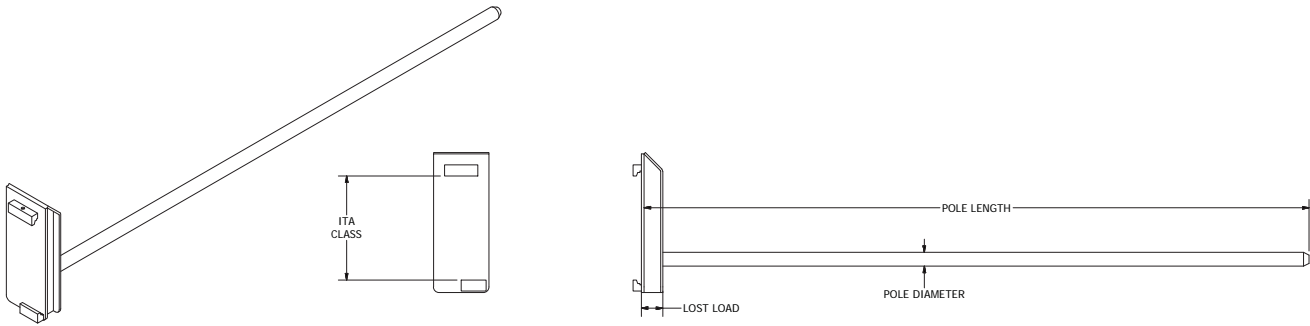




CARPET AND COIL RAMS

CARRIAGE MOUNTED CARPET RAMS



OVERVIEW

A CBI carriage mounted rug ram or carpet pole is an excellent way to add functionality to your forklift. These attachments make handling rolled carpet, rugs, and even pipes safer and easier. Our standard models are listed below. Please call to discuss other sizes or a custom order.

FEATURES

- Heat treated alloy steel poles
- Improved bumper design
- Heavy duty construction
- Pole may be rotated 180° in base

SPECIFICATIONS

Model Number	Class	Length	Lost Load	HCG	VCG	Weight
2 1/2" Dia. Pole - 1500 lbs. Capacity						
CR 21509	II	108	3.875	34.9	6	260 lbs.
CR 21510	II	120	3.875	40	5.875	260 lbs.
CR 21511	II	132	3.875	45.3	5.875	290 lbs.
CR 21512	II	144	3.875	50.6	5.75	305 lbs.
CR 31509	III	108	3.875	32.9	6.875	265 lbs.
CR 31510	III	120	3.875	37.9	6.75	282 lbs.
CR 31511	III	132	3.875	43	6.5	299 lbs.
CR 31512	III	144	3.875	48.2	6.5	315 lbs.
2 3/4" Dia. Pole - 2500 lbs. Capacity						
CR 22509	II	108	3.875	37.4	5.875	288 lbs.
CR 22510	II	120	3.875	42.8	5.75	308 lbs.
CR 22511	II	132	3.875	48.2	5.625	328 lbs.
CR 22512	II	144	3.875	53.7	5.56	348 lbs.
CR 32509	III	108	3.875	35.5	6.56	314 lbs.
CR 32510	III	120	3.875	40.7	6.5	339 lbs.
CR 32511	III	132	3.875	46	6.375	362 lbs.
CR 32512	III	144	3.875	51.4	6.25	388 lbs.