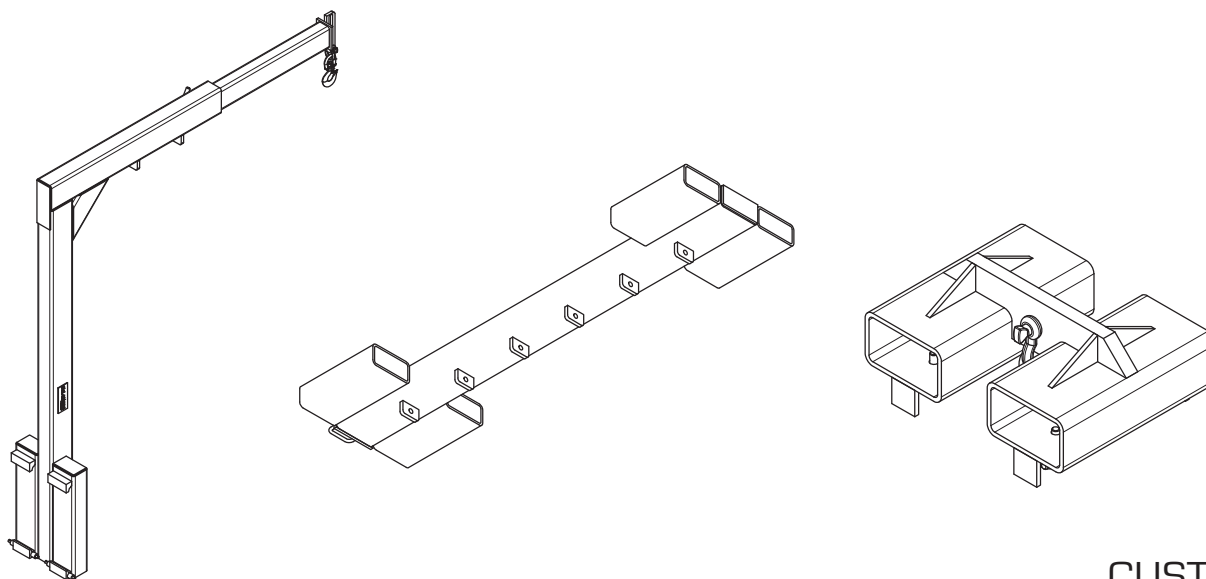




BOOMS & LIFTING ACCESSORIES

CUSTOM & SPECIALTY BOOMS



CUSTOMS

CBI specializes in custom orders. We can design and create special carriage or fork mounted booms, extension or rigid. We can also manufacture larger capacity versions of our standard products, to fit customers' specific applications. Contact CBI today to discuss your specialty boom project.

FEATURES

All booms include appropriate capacity 360° swivel hook and shackle lifting hardware.

Our design department is equipped with the latest technology to meet customer demands.

Heavy Duty Construction: Our products are built to last by experienced technicians

RELATED PRODUCTS

Additional hooks, shackles, latches, and assemblies page B-7

Carriage mounted booms page B-1, B-2

Fork Mounted Booms page B-3, B-4

High Rise Booms page B-5

Insta-hooks page B-6