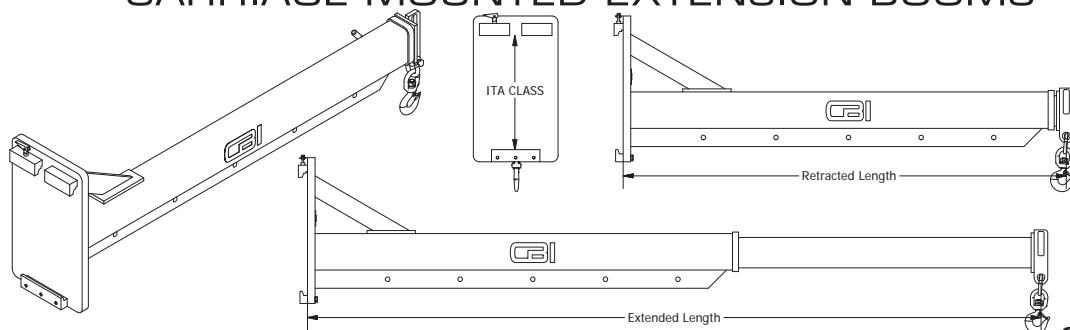




# BOOMS & LIFTING ACCESSORIES

## CARRIAGE MOUNTED EXTENSION BOOMS



### OVERVIEW

A CBI Carriage Mounted Extension Boom converts a forklift into a mobile crane. These booms have an adjustable length for more flexibility and attach directly to the carriage with easy bolt-from-front mounting. (ITA carriages only) For pin type mounting or special requests please contact CBI Customer Service for specifications and a free quote.

### FEATURES

- Includes 360° swivel hook and shackle lifting hardware
- Lifting points every 12 inches
- CBI True-rate: see capacity below
- Extension feature adjusts to any point within range

### SPECIFICATIONS

Model Number	Class	Capacity	Capacity (ext.)	Length	Lost Load	VCC	HCC	HCC (ext.)	Weight
CMBE-22-6096	II	2000	1650	60-96	1	9.6	21.5	31.5	230
CMBE-22-72120	II	2000	1400	72-120	1	9.6	27	41	264
CMBE-22-84144	II	2000	1200	84-144	1	9.6	32.5	49.5	293
CMBE-24-6096	II	4000	3350	60-96	1	9.5	21.5	32	298
CMBE-24-72120	II	4000	2900	72-120	1	9.5	27	42	339
CMBE-24-84144	II	4000	2400	84-144	1	9.5	33	50	380
CMBE-26-6096	II	6000	5100	60-96	1	9.5	23.5	35	304
CMBE-26-72120	II	6000	4500	72-120	1	9.5	29	44.5	345
CMBE-26-84144	II	6000	3600	84-144	1	9.5	35	53.5	386
CMBE-34-6096	III	4000	3350	60-96	1	11.5	20.5	30.5	320
CMBE-34-72120	III	4000	2950	72-120	1	10.5	26	40	354
CMBE-34-84144	III	4000	2400	84-144	1	10.5	31	49	401
CMBE-36-6096	III	6000	5100	60-96	1.25	11.5	22.5	34	361
CMBE-36-72120	III	6000	4550	72-120	1.25	10.5	28	44.5	402
CMBE-36-84144	III	6000	3600	84-144	1.25	10.5	33.5	54.5	443
CMBE-38-6096	III	8000	7000	60-96	1.25	11.5	22.5	33.5	385
CMBE-38-72120	III	8000	6200	72-120	1.25	10.5	28	44	423
CMBE-38-84144	III	8000	4800	84-144	1.25	10.5	33.5	54	464
CMBE-48-6096	IV	8000	7000	60-96	1.25	11	22.5	33	458
CMBE-48-72120	IV	8000	6200	72-120	1.25	10.5	28	42.5	507
CMBE-48-84144	IV	8000	4800	84-144	1.25	10.5	34	52	557
CMBE-310-6096	III	10000	8000	60-96	1.5	11	24.5	35.5	522
CMBE-310-72120	III	10000	7000	72-120	1.5	10.5	30.5	45.5	588
CMBE-310-84144	III	10000	6000	84-144	1.5	10.5	36	55	655
CMBE-410-6096	IV	10,000	8000	60-96	1.5	11.5	25	35.5	593
CMBE-410-72120	IV	10,000	7000	72-120	1.5	11	31	46	675
CMBE-410-84144	IV	10,000	6000	84-144	1.5	11	36.5	55.5	748
CMBE-414-6096	IV	14,000	12,500	60-96	2	12	26.5	36.5	772
CMBE-414-72120	IV	14,000	10,700	72-120	2	11.5	32	47.5	862
CMBE-414-84144	IV	14,000	8400	84-144	2	11.5	38.5	56	952

### RELATED PRODUCTS

- Additional hooks, shackles, latches, and assemblies page B-7
- Carriage mounted rigid booms page B-1
- Fork Mounted Booms page B-3, B-4
- High Rise Booms page B-5